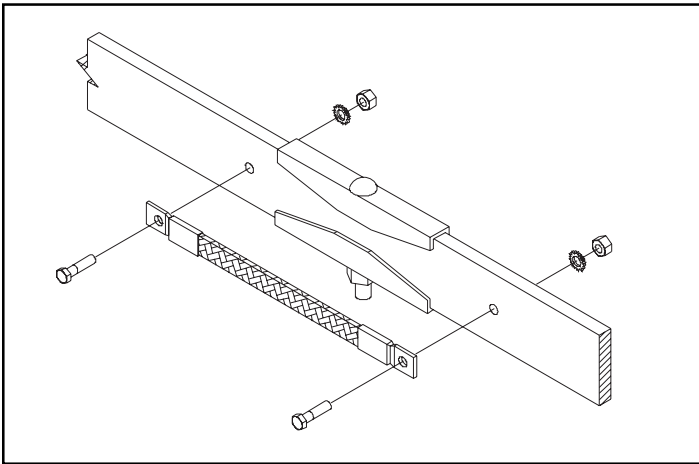


### Ground Strap



Homaco Ground Straps provide grounding between spliced runway. Simply pre-drill runway to accept the strap, and connect to runway sections using compression lugs. *Note: Effective grounding is a measure of continuity; be sure to use an appropriate grounding system as required by the installation.*

**Features:**

- All compression lugs and 1/4-20" hardware included:
  - 1 qty, 8" ground strap
  - 2 qty, compression lugs
  - 2 qty, toothed lock washers
  - 2 qty, hex nuts
- Constructed of flexible tinned copper flat braid
- UL listed

**Ordering Information:**

Catalog No.	Dimensions*	Ship Weight
GS-8	8.75"L x 0.63"H	1 lbs

\*Lug hole-to-lug hole length is 8.00". Runway clearance hole for 1/4-20" is needed to mount Ground Strap.

1875 W. Fullerton Ave. ■ Chicago, IL 60614

Phone: 888-446-6226 ■ Fax: 773-384-6080 ■ [www.homaco.com](http://www.homaco.com)