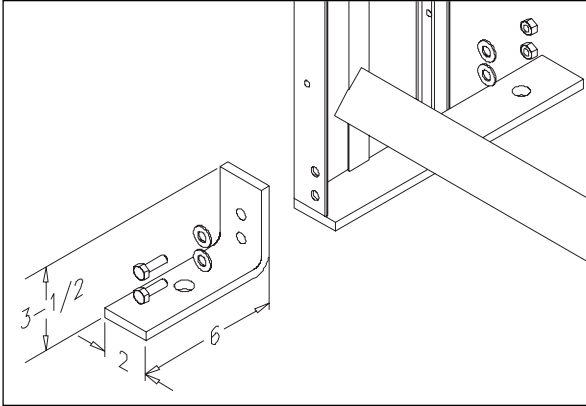


## 110D Frame Base Angle



The 110D Frame Base Angle attaches to the frame with nuts, bolts, and washers (included).

Homaco Base Angles attach easily to the back of any Homaco 110D single-sided frame (110D-3600, 110D-3600-101, 110D-4500, & 110D-4500-101) and convert the frames to double-sided frames. The base angle is the same steel bar used at the base of our single-sided frames to assure a sturdy, level installation. Sold in pairs.

### Features

- One-piece design assembles to frame quickly and easily; base angles are pre-drilled to immediately mount frame and secure to floor
- Homaco single-sided frames are pre-drilled to readily accept base angles
- Homaco single-sided frames are pre-drilled and tapped on both sides to accept Homaco 110D modules
- Greystone finish for an exact match to Homaco 110D frame
- Sturdy 3/8" steel bar construction
- Base angle frame mounting hardware included
- Floor mounting hardware available separately; Use part number CA-93 to order concrete floor anchors, or use part number WA-93 to order wooden floor anchors

### Ordering Information:

Catalog No.	Dimensions	Ship Weight
110L-1224	6.00"H x 2.00"W x 3.50"D	4 lb

1875 W. Fullerton Ave. ■ Chicago, IL 60614

Phone: 888-446-6226 ■ Fax: 773-384-6080 ■ [www.homaco.com](http://www.homaco.com)

M02-031-0702