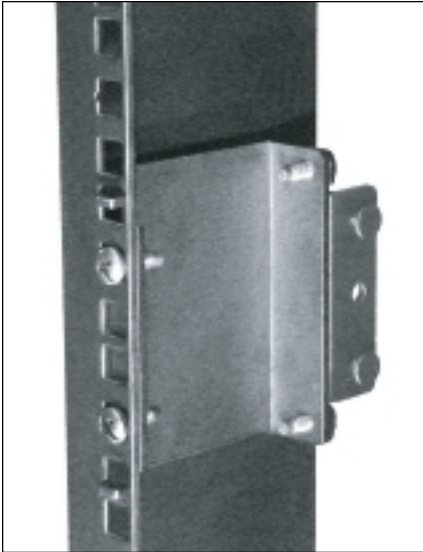


M6 Adapter Bracket

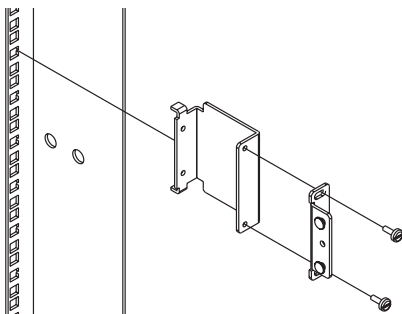
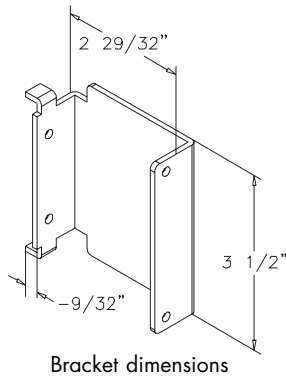


The M6 Adapter Bracket allows standard Adjustable Dual Equipment Rack shelves to easily mount to M6 Adjustable Dual Equipment Racks. The adapter bracket attaches to the mounting ear of the original shelf bracket to allow 12-24 mounting within M6 square holes.

Features

- Converts standard Adjustable Dual Equipment Rack shelf mounting brackets to accommodate M6 Adjustable Dual Racks
- Durable black finish
- Four adapter brackets and all bracket-to-bracket assembly hardware are included
- Cage nuts not required
- 12-gauge steel construction
- Meets EIA-310 standards

Left: M6 Adapter Bracket shown mounted to standard Adjustable Dual Equipment Rack shelf bracket



Shown above: Adapter bracket mounts to original shelf bracket.

Ordering Information:

Catalog No.	Dimensions	Ship Weight
M6DRSAK	3.50"H x 3.19"D*	4 lbs

*Depth includes full depth (including bracket M6 latch hook).

USE BRACKET TO MOUNT BELOW SHELVES:

Catalog No.	Description	Dimensions
Non-vented shelves		
ES-19-DR1520F	Fixed Dual Shelf	3.79"H x 17.50"W x 20.00"D
ES-19-DR2126F	Fixed Dual Shelf	3.79"H x 17.50"W x 26.00"D
ES-19-DR2732F	Fixed Dual Shelf	3.79"H x 17.50"W x 32.00"D
ES-19-FDR1520	Adjustable Equipment Shelf	3.34"H x 17.50"W x 15-20.00"D
ES-19-FDR2126	Adjustable Equipment Shelf	3.34"H x 17.50"W x 21-26.00"D
ES-19-FDR2732	Adjustable Equipment Shelf	3.34"H x 17.50"W x 27-32.00"D
Vented Shelves		
ESV-19-DR1520F	Fixed Dual Shelf	3.79"H x 17.50"W x 20.00"D
ESV-19-DR2126F	Fixed Dual Shelf	3.79"H x 17.50"W x 26.00"D
ESV-19-DR2732F	Fixed Dual Shelf	3.79"H x 17.50"W x 32.00"D
ESV-19-FDR1520	Adjustable Equipment Shelf	3.34"H x 17.50"W x 15-20.00"D
ESV-19-FDR2126	Adjustable Equipment Shelf	3.34"H x 17.50"W x 21-26.00"D
ESV-19-FDR2732	Adjustable Equipment Shelf	3.34"H x 17.50"W x 27-32.00"D

All shelves have a 200 lb load rating.

1875 W. Fullerton Ave. ■ Chicago, IL 60614

Phone: 888-446-6226 ■ Fax: 773-384-6080 ■ www.homaco.com