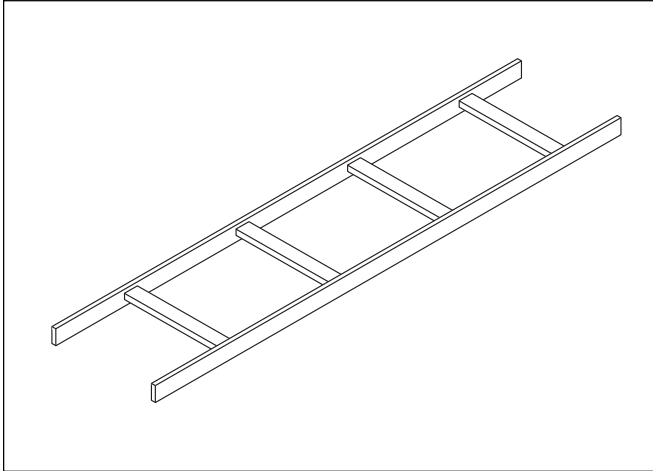


Solid Runway



Solid Runway junctions to auxiliary framing and assures appropriate cable support. Runway is available for various applications and is used in conjunction with hardware kits to accommodate a variety of configurations. Accessories provide additional cable capacity and allow smooth cable transitions.

Features:

- Mounts to any Equipment Racks
- Constructed of heavy-duty 3/8" steel bar
- Channel cross slats are welded between stringers
- Available in dove gray finish
- Meets NEBs standards

Catalog No.	Dimensions
2-E1-1-5WS	1.5"H x 5.0'W x 9' 8.5"L
2-E1-1-10WS	1.5"H x 10.0'W x 9' 8.5"L
2-E1-1-12WS	1.5"H x 12.0'W x 9' 8.5"L
2-E1-1-15WS	2.0"H x 15.0'W x 9' 8.5"L
2-E1-1-20WS	2.0"H x 20.0'W x 9' 8.5"L
2-E1-1-25W*	2.0"H x 25.0'W x 9' 8.5"L
2-E1-1-30W*	2.0"H x 30.0'W x 9' 8.5"L

*Standard color is dove gray. *Reinforced runway.*

1875 W. Fullerton Ave. ■ Chicago, IL 60614

Phone: 888-446-6226 ■ Fax: 773-384-6080 ■ www.homaco.com