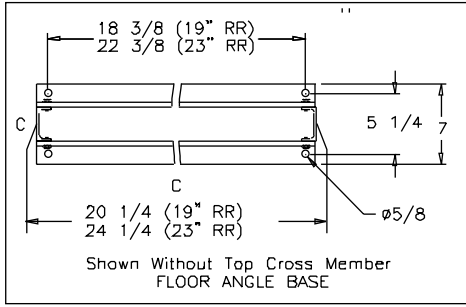
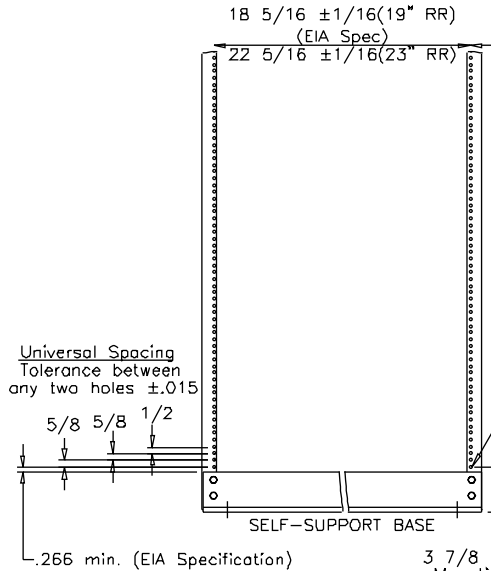
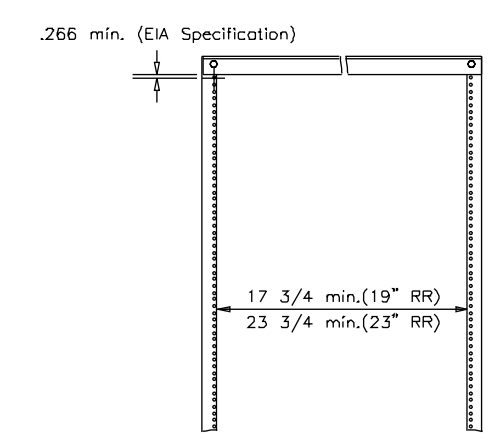


Shown With Top Cross Member(Angle Type)
SELF-SUPPORT BASE



Shown Without Top Cross Member
FLOOR ANGLE BASE



Top Cross Member, 2 per
1 1/2 x 1 1/2 Angle

Upright top will be flush to
1/8" of crossmember top

Dim will be measured parallel to
Relay Rack mounting plane

#12-24NC-2B(TYP)
NOTE: Starting Hole of
Panel Mounting Hole Pattern

3 7/8 To Bottom Panel
Mounting Hole ±1/16
12-24 Tapped Hole

Upright bottom will be 3/8" to
1/2" from 'FLOOR LINE'

Base Cross Member, 2 per
Self-Support (shown)
or
Floor Angle Base (2 x 2 Angle Ref.)

96
84
72

66

43

4

THIS PRINT IS THE PROPERTY OF HOMACO, INC. ITS USE IS VALID ONLY FOR THE PURPOSE FOR WHICH IT WAS INTENDED.
ANY USE, COPY OR REPRODUCTION WITHOUT THE WRITTEN PERMISSION OF HOMACO, INC. IS PROHIBITED.



HOMACO, INC.
CHICAGO, ILLINOIS

DRAWN:
RJP

CHECKED:
-

REVISION:
-

CAT. #
-

TITLE: CUSTOMER USE DRAWING
RELAY RACK SPECIFICATIONS

DWG. # 998-0085