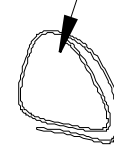
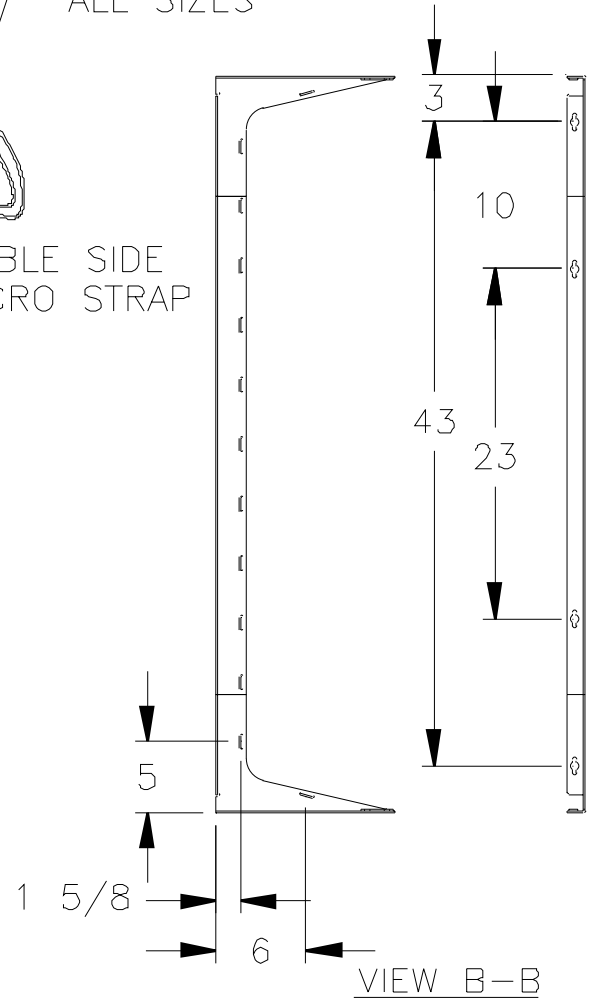


LOOP TO HOLD  
CABLES NEAR  
MTG FRAME  
ALL SIZES



DOUBLE SIDE  
VELCRO STRAP



CATALOG NO.	DEPTH A
19-48-T12D	12.00
19-48-T18D	18.00
19-48-T25D	25.00

THIS PRINT IS THE PROPERTY OF HOMACO, INC. ITS USE IS VALID ONLY FOR THE PURPOSE FOR WHICH IT WAS INTENDED.  
ANY USE, COPY OR REPRODUCTION WITHOUT THE WRITTEN PERMISSION OF HOMACO, INC IS PROHIBITED



**HOMACO**  
CHICAGO, ILLINOIS

DRAWN:

RRS

CHECKED:

YK

REVISION:

D

CAT. # 19-48-TXXD

TITLE: CUSTOMER USE DRAWING  
SWING-EZ, 48" HIGH

DWG. # 998-0094