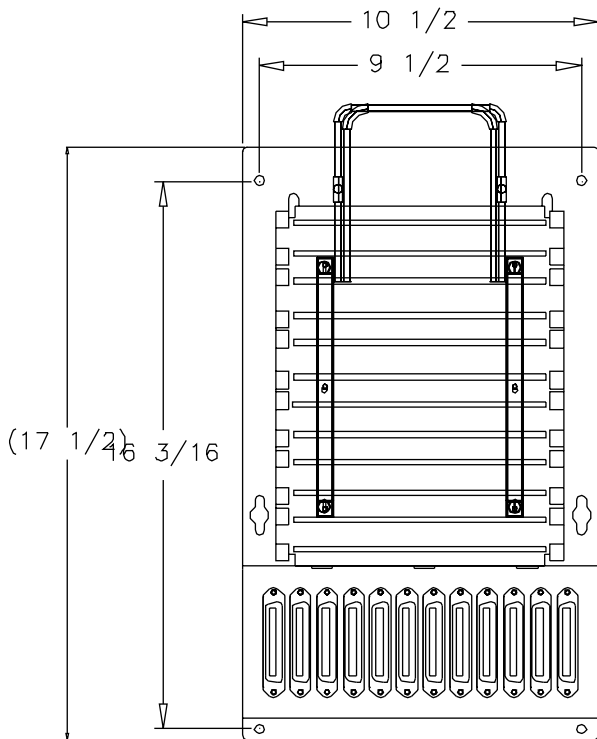
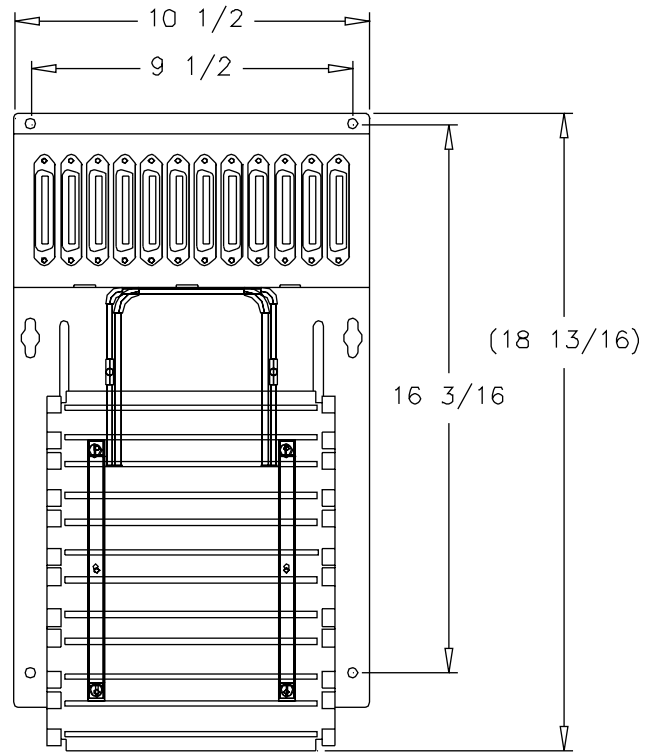
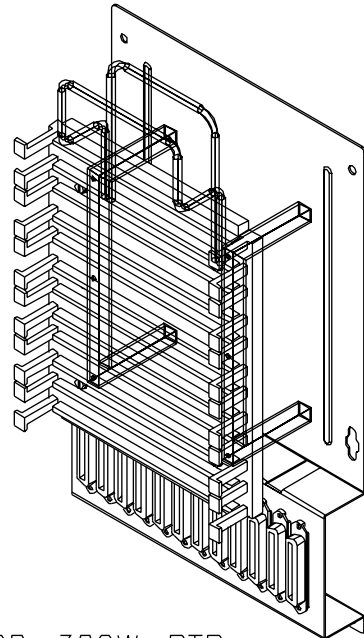


110D-300W-PTT
(TOP TERMINATION)



110D-300W-PTB
(BOTTOM TERMINATION)



THIS PRINT IS THE PROPERTY OF HOMACO, INC. ITS USE IS VALID ONLY FOR THE PURPOSE FOR WHICH IT WAS INTENDED.
ANY USE, COPY OR REPRODUCTION WITHOUT THE WRITTEN PERMISSION OF HOMACO, INC IS PROHIBITED.



HOMACO, INC.
CHICAGO, ILLINOIS

DRAWN:

RRS

CHECKED:

YK

REVISION:

A

CAT. #
110D-300W-PTT/PTB

TITLE: CUSTOMER USE DRAWING
300 PR 110D WALL MODULE

DWG. #
998-0102