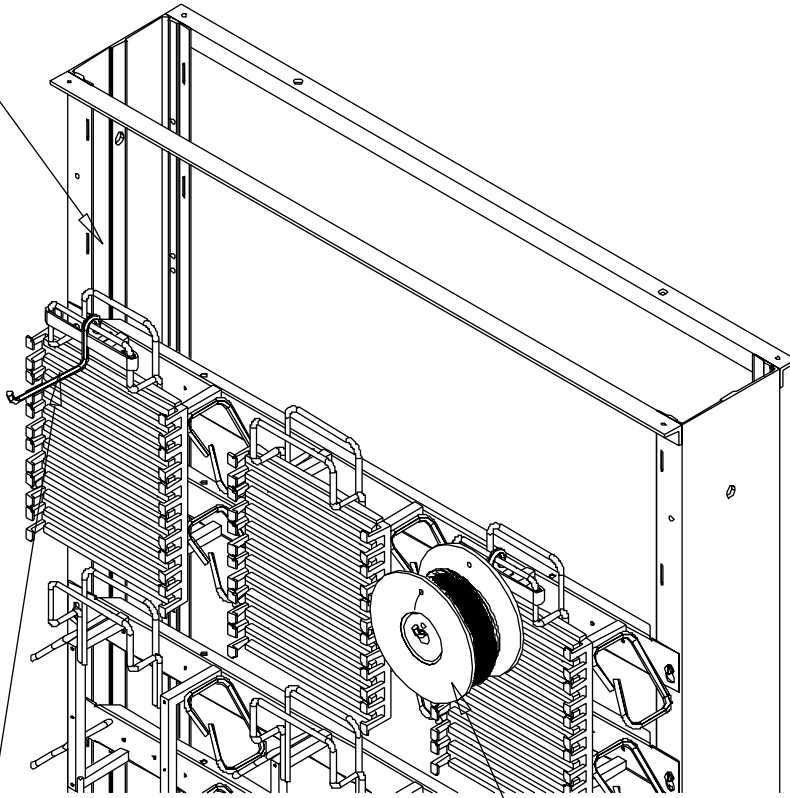


FRAME W/
MODULE

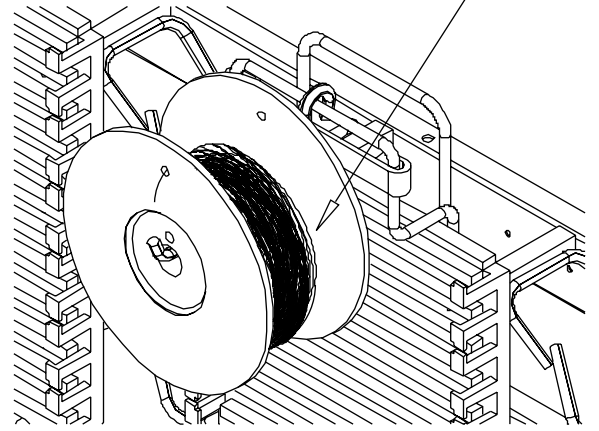
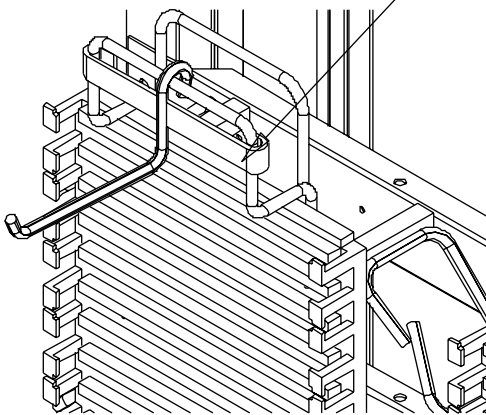


SEE DETAIL A

SEE DETAIL B

110D-SPOOL

SPOOL



DETAIL A

DETAIL B

THIS PRINT IS THE PROPERTY OF HOMACO, INC. ITS USE IS VALID ONLY FOR THE PURPOSE FOR WHICH IT WAS INTENDED.
ANY USE, COPY OR REPRODUCTION WITHOUT THE WRITTEN PERMISSION OF HOMACO, INC. IS PROHIBITED.



HOMACO, INC.
CHICAGO, ILLINOIS

DRAWN.

RRS

CHECKED:

YK

REVISION:

A

CAT. #

110D-SPOOL

TITLE:

CUSTOMER USE DRAWING
SPOOL HOLDER APPLICATION

DWG. #

998-0114