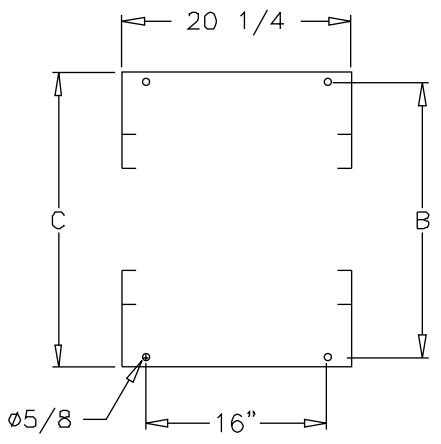


MOUNTING HOLE PATTERN



FOOT PRINT

CATALOG NO.	BRACKET ASSEMBLY	A	B	C
19-72-T4SDA1520	D = 8 3/4	15 to 20	24 1/4 to 29 1/4	26 to 31
19-72-T4SDA2126	E = 14 3/4	21 to 26	30 1/4 to 35 1/4	32 to 37
19-72-T4SDA2732	F = 20 3/4	27 to 32	36 1/4 to 41 1/4	38 to 43

THIS PRINT IS THE PROPERTY OF HOMACO, INC. ITS USE IS VALID ONLY FOR THE PURPOSE FOR WHICH IT WAS INTENDED. ANY OTHER USE, COPY, OR REPRODUCTION, WITHOUT THE WRITTEN CONSENT OF HOMACO, INC., IS PROHIBITED.

 HOMACO, INC. CHICAGO, ILLINOIS	DRAWN: RRS	APPROVED: -	REVISION: B
---------------------------------------------------------------------------------------------------------------------------------	---------------	----------------	----------------

CAT #: 19-72-T4SDAXXX	TITLE: CUSTOMER USE DRAWING ADJUSTABLE DUAL RELAY RACK W/ SELF-SUPPORT BASE	DWG. #: 998-0119
--------------------------	--------------------------------------------------------------------------------------	---------------------