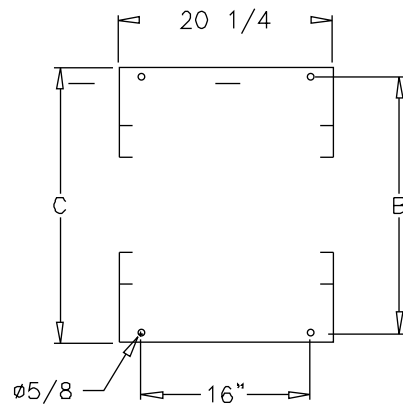


MOUNTING HOLE PATTERN



FOOT PRINT

CATALOG NO.	BRACKET ASSEMBLY	A	B	C
19-96-T4SDA1520	D = 8 3/4	15 to 20	24 1/4 to 29 1/4	26 to 31
19-96-T4SDA2126	E = 14 3/4	21 to 26	30 1/4 to 35 1/4	32 to 37
19-96-T4SDA2732	F = 20 3/4	27 to 32	36 1/4 to 41 1/4	38 to 43

THIS PRINT IS THE PROPERTY OF HOMACO, INC. ITS USE IS VALID ONLY FOR THE PURPOSE FOR WHICH IT WAS INTENDED. ANY OTHER USE, COPY, OR REPRODUCTION, WITHOUT THE WRITTEN CONSENT OF HOMACO, INC., IS PROHIBITED.



HOMACO, INC.
CHICAGO, ILLINOIS

DRAWN:
RJP

APPROVED:
RJP

REVISION:
A

CAT. #:
19-96-T4SDAXXXX

TITLE
CUSTOMER USE DRAWING
ADJUSTABLE DUAL RELAY RACK
W/ SELF-SUPPORT BASE

DWC #:
998-0184