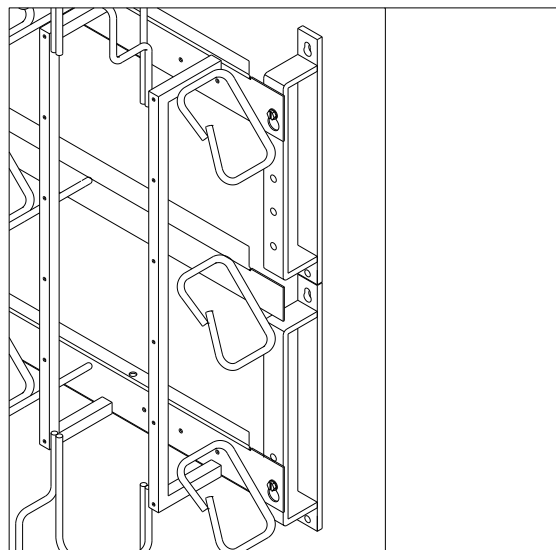
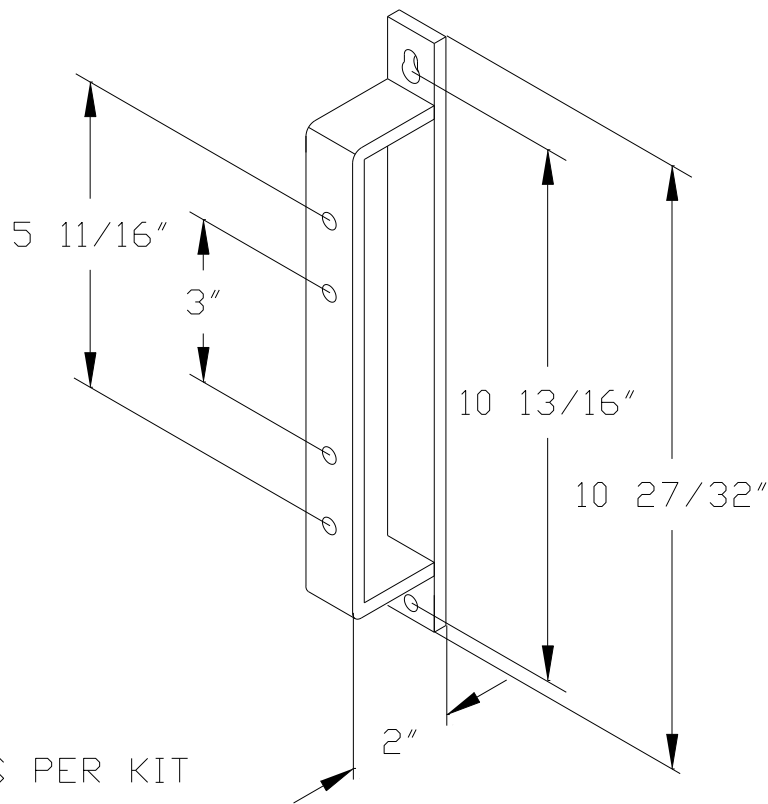


ONE KIT NEEDED FOR:  
 110D-900W  
 110D-600-19



TWO KITS NEEDED FOR:  
 110D-1800W



NOTE:

1. TWO BRACKETS PER KIT

THIS PRINT IS THE PROPERTY OF HOMACO ITS USE IS VALID ONLY FOR THE PURPOSE FOR WHICH IT WAS INTENDED.  
 ANY USE, COPY OR REPRODUCTION WITHOUT THE WRITTEN PERMISSION OF HOMACO IS PROHIBITED.



HOMACO  
 CHICAGO, ILLINOIS

DRAWN:

RRS

CHECKED:

REVISION:

CAT. #

110D-WBRK

TITLE:

CUSTOMER USE DRAWING  
 STAND OFF BRACKET FOR 110D MODULES

DWG. #

998-0354