

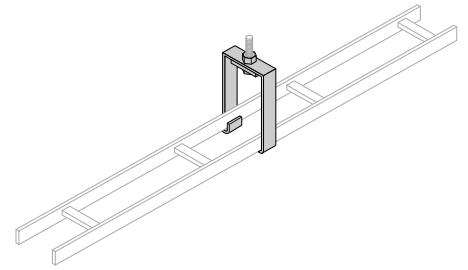
Hanger Bracket Kit

Features:

- Suspend runway from single threaded rod*
- Dove gray finish
- Constructed of steel

Catalog No.	Description	Kit Contents	Ship Weight
2-E1-76	For 5-inch runway	(1) Hanger Bracket (1) 1/2" x 3/8" Bar (2) 5/8-11" Hex Nut	3 lbs

*Threaded rod available separately.

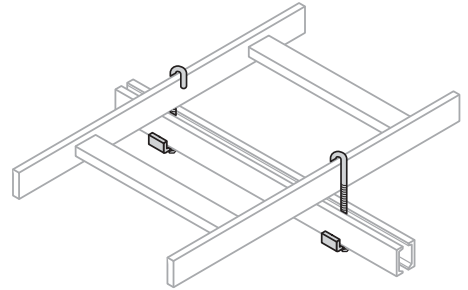


J-Bolt Junction Kit

Features:

- Support junction from auxiliary framing to runway
- Yellow zinc dichromate finish
- Constructed of steel

Catalog No.	Description	Kit Contents	Ship Weight
2-E1-65-A	Use with 1-1/2" stringers	(2) 1/2" x 4-3/8" J-Bolt (2) 1/2" Framing Clip (2) 1/2-13" Hex Nut	1 lb
2-E1-65-B	Use with 2" stringers	(2) 1/2" x 4-7/8" J-Bolt (2) 1/2" Framing Clip (2) 1/2-13" Hex Nut	1 lb

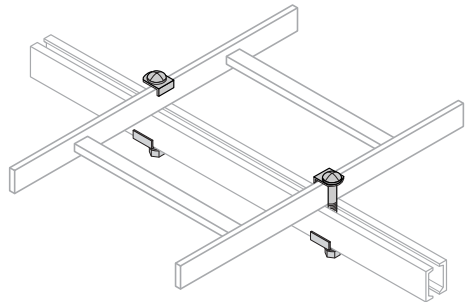


J-Clip Kit

Features:

- Support junction from auxiliary framing to runway
- Yellow zinc dichromate finish
- Constructed of steel

Catalog No.	Description	Kit Contents	Ship Weight
2-E2-5-AP	Use with 1-1/2" stringers	(2) 1/2" x 4-3/8" J-Clip (2) 1/2" Framing Clip (2) 1/2-13" Hex Nut (2) 1/2" Lockwasher	1 lb
2-E2-5-BP	Use with 2" stringers	(2) 1/2" x 4-7/8" J-Clip (2) 1/2" Framing Clip (2) 1/2-13" Hex Nut (2) 1/2" Lockwasher	1 lb



Spanner Clip Kit

Features:

- Support junction from auxiliary framing at runway cross bar
- Yellow zinc dichromate finish
- Constructed of steel

Catalog No.	Description	Kit Contents	Ship Weight
2-E2-5-AS	Use with 1-1/2" stringers	(2) 1/2" x 4-3/8" Spanner Clip (2) 1/2" Framing Clip (2) 1/2-13" Hex Nut (2) 1/2" Lockwasher	1 lb
2-E2-5-BS	Use with 2" stringers	(2) 1/2" x 4-7/8" Spanner Clip (2) 1/2" Framing Clip (2) 1/2-13" Hex Nut (2) 1/2" Lockwasher	1 lb

