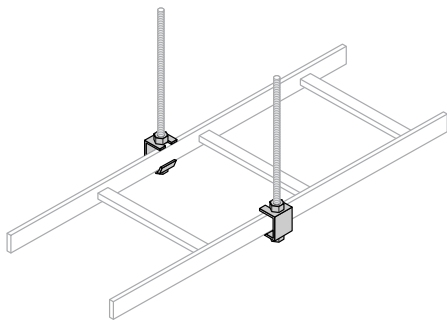


Runway-to-Framing Support Kit, Anti-Slip

Features:

- Framing support for runway that sustains racks
- Yellow zinc dichromate finish
- Constructed of steel

Catalog No.	Description	Kit Contents	Ship Weight
2-E5-10A-A	Use with 1-1/2" stringers	(2) Anti-Slip Bracket (4) 1/2" Framing Clip (2) 1/2" x 4-3/8" J-Bolt (2) 1/2-13" x 2-3/4" HHCS (4) 1/2-13" Hex Nut (4) 1/2" Lockwasher	2 lbs
2-E5-10A-B	Use with 2" stringers	(2) Anti-Slip Bracket (4) 1/2" Framing Clip (2) 1/2" x 4-7/8" J-Bolt (2) 1/2-13" x 2-3/4" HHCS (4) 1/2-13" Hex Nut (4) 1/2" Lockwasher	2 lbs



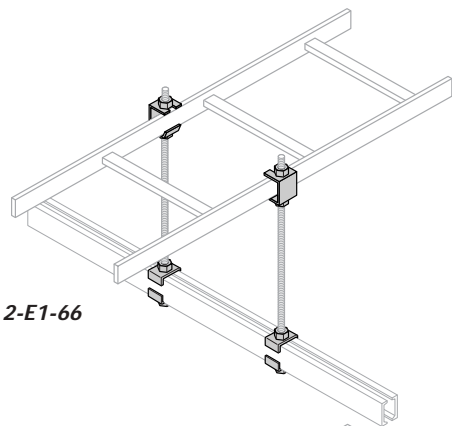
Open Clip Support Kit

Features:

- Supports runway from threaded rods*; slotted opening facilitates installation
- Yellow zinc dichromate finish
- Constructed of steel

Catalog No.	Description	Kit Contents	Ship Weight
2-E1-77-A	Use with 1-1/2" stringers	(2) 1-1/2" Open Clip (4) 5/8-11" Hex Nut (4) 5/8-11" Lockwashers	1 lb
2-E1-77-B	Use with 2" stringers	(2) 2" Open Clip (4) 5/8-11" Hex Nut (4) 5/8-11" Lockwashers	1 lb

*Threaded rods available separately.



2-E1-66

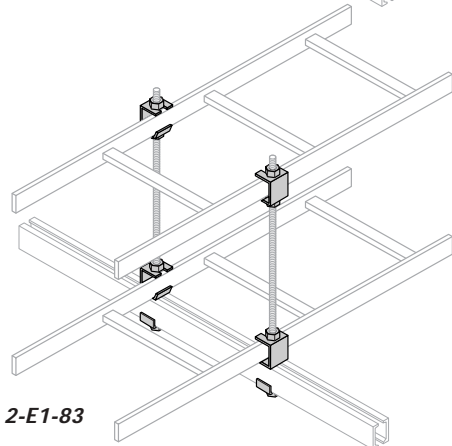
Open Clip Support Kit - To Auxiliary Framing

Features:

- Support runway from framing with slotted clips and threaded rod*
- Yellow zinc dichromate finish
- Constructed of steel

Catalog No.	Description	Kit Contents	Ship Weight
2-E1-66-A	One level runway, for 1-1/2" stringers	(2) 1-1/2" Open Clip (4) 5/8" Framing Clip (8) 5/8-11" Hex Nut	2 lbs
2-E1-66-B	One level runway, for 2" stringers	(2) 2" Open Clip (4) 5/8" Framing Clip (8) 5/8-11" Hex Nut	2 lbs
2-E1-83-A	Two levels of runway, for 1-1/2" stringers	(4) 1-1/2" Open Clip (2) 5/8" Framing Clip (8) 5/8-11" Hex Nut	2 lbs
2-E1-83-B	Two levels of runway, for 2" stringers	(4) 2" Open Clip (2) 5/8" Framing Clip (8) 5/8-11" Hex Nut	2 lbs

*Threaded rod available separately.



2-E1-83