

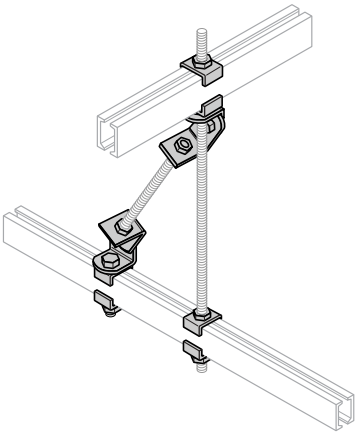
## Auxiliary Framing Brace Kit

**Features:**

- Bracing auxiliary framing to wall or ceiling with single threaded rod\*
- Yellow zinc dichromate finish
- Constructed of steel

Catalog No.	Description	Kit Contents	Ship Weight
<b>2-E2-24</b>	Stabilize auxiliary framing	(2) 5/8" Framing Clip (4) Bracket (2) 1/2-13" x 7/8" HHCS (1) 5/8-11" x 3-1/4" HHCS (2) 1/2-13" Hex Nut (5) 5/8-11" Hex Nut (1) 5/8" Lockwasher	3 lbs

\*Threaded rod available separately.



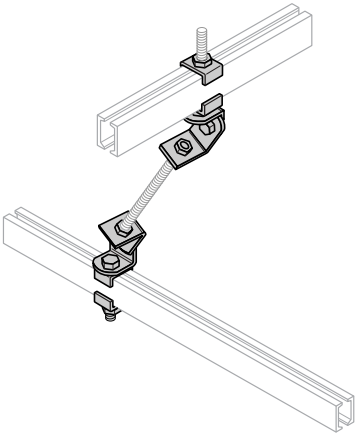
## Framing-to-Framing Brace Kit - Low to High at Angle

**Features:**

- Bracing lower-level framing to right angles\*
- Yellow zinc dichromate finish
- Constructed of steel

Catalog No.	Description	Kit Contents	Ship Weight
<b>2-E3-16</b>	Secure framing to framing at angle	(6) 5/8" Framing Clip (4) Bracket (2) 1/2-13" x 1-1/4" HHCS (1) 5/8-11" x 3-1/4" HHCS (2) 1/2-13" Hex Nut (11) 5/8-11" Hex Nut (2) 1/2-13" Lockwasher (11) 5/8" Lockwasher	4 lbs

\*Threaded rods available separately.



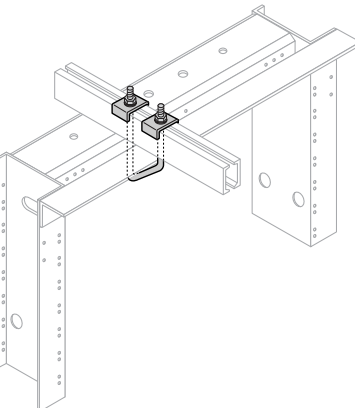
## Framing-to-Framing Brace Kit - Perpendicular

**Features:**

- Bracing framing with threaded rods\*
- Yellow zinc dichromate finish
- Constructed of steel

Catalog No.	Description	Kit Contents	Ship Weight
<b>2-E3-16A</b>	Secure framing to framing	(4) 5/8" Framing Clip (4) Bracket (3) 1/2-13" x 1-1/4" HHCS (1) 5/8-11" x 3-1/4" HHCS (3) 1/2-13" Hex Nut (5) 5/8-11" Hex Nut (1) 5/8" Lockwasher	4 lbs

\*Threaded rods available separately.



## V-Bolt Frame Support Kit - Fastening

**Features:**

- Suspend auxiliary support to rack top angle
- Yellow zinc dichromate finish
- Constructed of steel

Catalog No.	Description	Kit Contents	Ship Weight
<b>2-E2-6</b>	Fasten framing to top angles	(1) 1/2" x 5" V-Bolt (2) 1/2" Framing Clip (2) 1/2-13" Hex Nut (2) 1/2-13" Lockwasher	1 lb