

Ground Bar

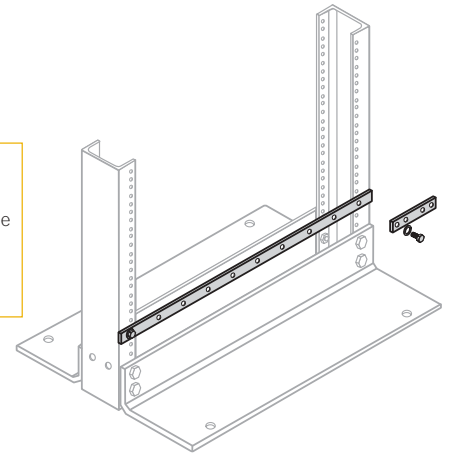
Features:

- Ground Bars offer a solid conducting connection between racks to protect personnel and equipment from harm
- Junction bar straps to racks and splices two ground bars together
- Eight grounding locations
- Mounts to bottom of rack
- Mounting hardware and junction bar included
- Made of 3/16" x 3/4 copper

Catalog No.	Length	Ship Weight
GB-19	20.19"	1 lb
GB-23	24.19"	1 lb

Copper finish.

- Ground Bar consists of:**
- 1 Copper Ground Bar Junction Plate
 - 1 Copper Ground Bar
 - 2 1/4 Washers
 - 2 12-24 Screws



Ground Bar (GB-19)

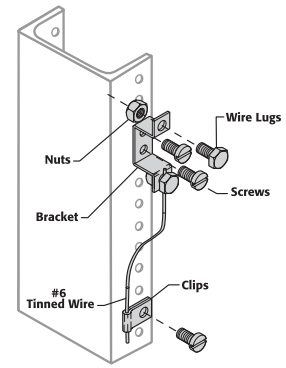
Equipment Ground Assembly

Features:

- Provides common ground point for all equipment
- Attaches to equipment rack uprights
- Made of 6-gauge uninsulated tin wire

Catalog No.	Length	Ship Weight
GA-93	10'	1 lb

- Ground Assembly consists of:**
- 8 Clips
 - 1 Bracket
 - 2 Wire lugs
 - 2 Nuts
 - 10 Screws
 - 1 Wire



Equipment Ground Assembly (GA-93)

Touch-Up Paint

Homaco Touch-Up paint is available to repair minor scratches to the finish of painted Homaco products. The aerosol can easily sprays paint to product surface and dries within minutes. *Can of paint ships as a separate, single unit; UPS ground shipments only.*

Features:

- Available in colors to repair scratches of Homaco painted products
- Can provides 12 ounces of dry enamel spray
- Paint dries quickly

Catalog No.	Description	Color Matches	Ship Weight
TUP-BLK	Black	ALL black products	1 lb
TUP-DGRY	Dove Gray	Unequal Flange Racks, Solid Runway, Central Office Kits, TRC Channel Runway & finished accessories (part no. ending in "D")	1 lb
TUP-GRYSTN	Greystone	110D Modules & Frames	1 lb
TUP-HGRY	Homaco Gray	50LS Runway Supports, TR Runway & finished accessories (standard/default color)*	1 lb
TUP-SMKGRY	Smoke Gray	Swing-EZs, Equipment Racks & finished accessories (standard/default color for Swing-EZs, Equipment Racks, Equipment Shelves, Panel Adapters, Blank Fillers, Guard Rails, Dust Covers)	1 lb

*Call Inside Sales for correct color match.