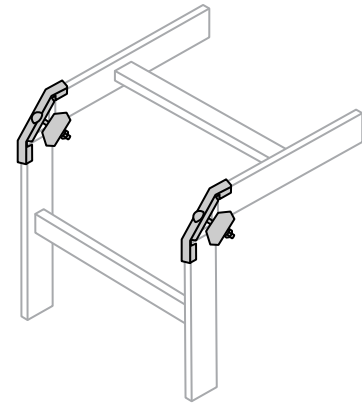


90° Edge Clamp Kit

Features:

- Use to transition solid or tubular runway at 90° angle
- Yellow zinc dichromate finish
- Constructed of steel

Catalog No.	Description	Kit Contents	Ship Weight
2-E1-11-A	Use for 90° runway transition, 1-1/2" stringers	(2) 90° Outside Edge Clamp (2) Inside Edge Clamp (2) 3/8-16" x 2-3/8" Bolt (2) 3/8-16" Hex Nut	1 lb
2-E1-11-B	Use for 90° runway transition, 2" stringers	(2) 90° Outside Edge Clamp (2) Inside Edge Clamp (2) 3/8-16" x 3" Bolt (2) 3/8-16" Hex Nut	1 lb

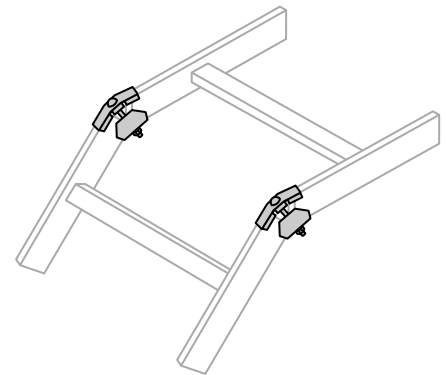


45° Edge Clamp Kit

Features:

- Use to transition solid or tubular runway at 45° angle
- Yellow zinc dichromate finish
- Constructed of steel

Catalog No.	Description	Kit Contents	Ship Weight
2-E1-9-A	Use for 45° runway transition, 1-1/2" stringers	(2) 45° Outside Edge Clamp (2) Inside Edge Clamp (2) 3/8-16" x 2-3/8" Bolt (2) 3/8-16" Hex Nut	1 lb
2-E1-9-B	Use for 45° runway transition, 2" stringers	(2) 45° Outside Edge Clamp (2) Inside Edge Clamp (2) 3/8-16" x 3" Bolt (2) 3/8-16" Hex Nut	1 lb

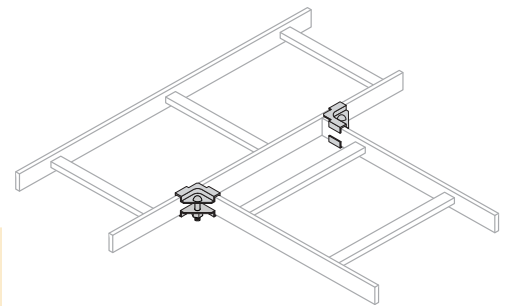


Corner Clamp Intersection Kit

Features:

- Create a 90° "T" junction between solid or tubular runway
- Yellow zinc dichromate finish
- Constructed of steel

Catalog No.	Description	Kit Contents	Ship Weight
2-E1-4-A	Use with 1-1/2" stringers	(4) Corner Clamp (2) 3/8-16" Hex Nut (2) 3/8-16" x 1-3/8" Bolt	1 lb
2-E1-4-B	Use with 2" stringers	(4) Corner Clamp (2) 3/8-16" Hex Nut (2) 3/8-16" x 2" Bolt	1 lb

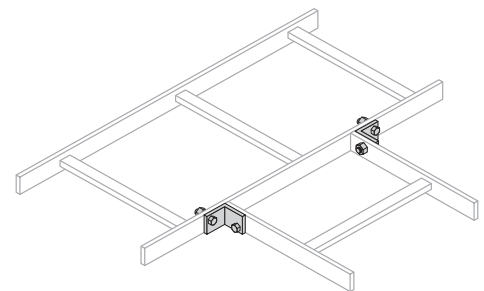


Seismic Junction Splice Kit

Features:

- Junction horizontal-to-vertical runway transition
- Yellow zinc dichromate finish
- Constructed of steel

Catalog No.	Description	Kit Contents	Ship Weight
2-E5-12G	Heavy-duty attachment of vertical runway to side of horizontal runway	(2) 2" x 2" x 3/16" Corner Angle* (4) 3/8-16" Hex Nut (4) 3/8" Lockwasher (4) 3/8-16" x 1-1/4" HHCS	3 lbs



*Pre-drilling of runway is required.